

Technical information

DuoFlex

Voltage: 230 V/25 A

Material: Aluminium

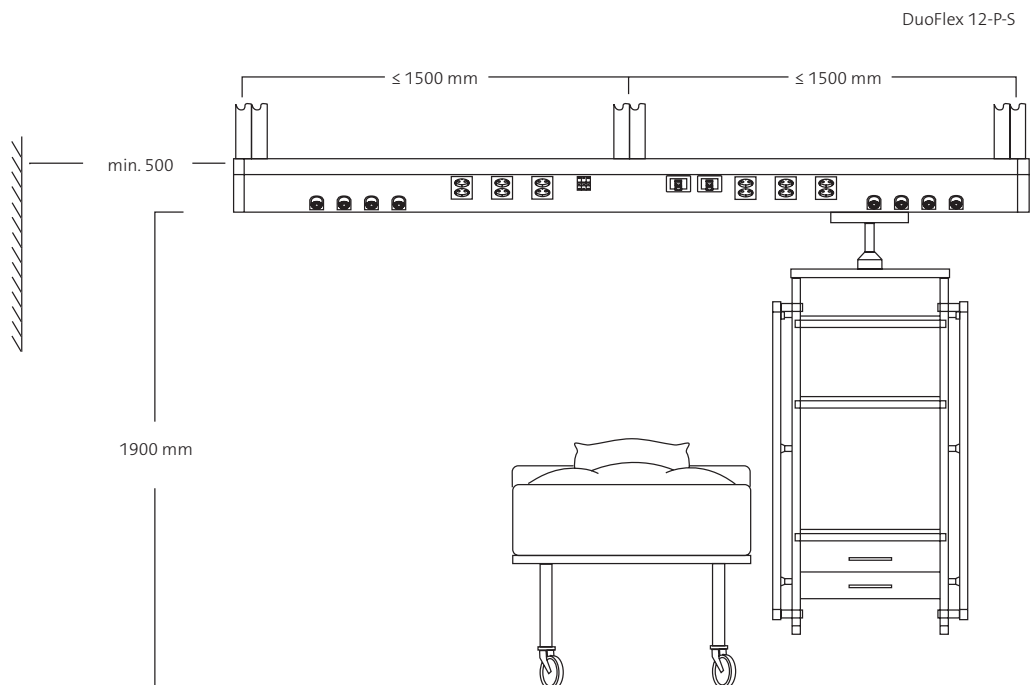
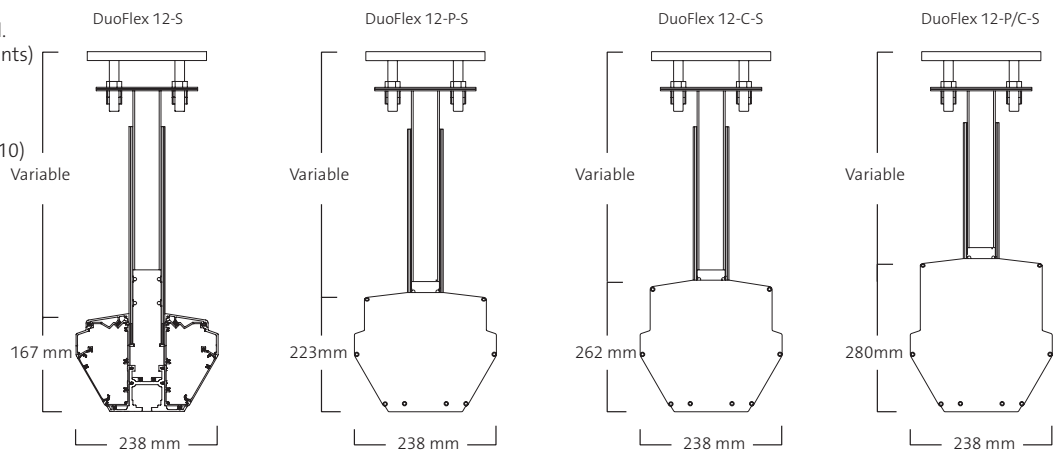
Dead weight: ca. 300 kg (L=4.0 m incl. ceiling bracket and pendants)
ca. 40 kg (shelf frame)

Max. load: 80 kg/shelf frame,
150 kg/pendant

Colour: White enamelled (RAL 9010)

Cat. no.: 18587

MDD class: IIa



1. Electrical and gas components

For electrical and gas components which are installed in the profiles, see component pages 39–41.

2. Pendant, single installation

The pendants for DuoFlex are adapted in length to the height of the ceiling and the desired installation height. The pendant is installed in a ceiling bracket allowing a fine adjustment range of ± 25 mm.

Stays are also available for the pendants, both to enhance stability between pendants, as well as for securing to an adjacent wall or ceiling.

The number of pendants depends on the overall panel length. A pendant in each end, then a sufficient number to ensure that there is a maximum distance of 1500 mm between the pendants.

3. Luminaire for indirect lighting

An upward-facing Notor profile is positioned on the top of the panel and this can be fitted out with fluorescent lamp luminaires. There are positioned in between the pendant attachments.

4. Luminaire for reading and examination

Ideally, DuoFlex is provided with a Halux 35 luminaire for use as a reading and examination light. The luminaire can be positioned on an

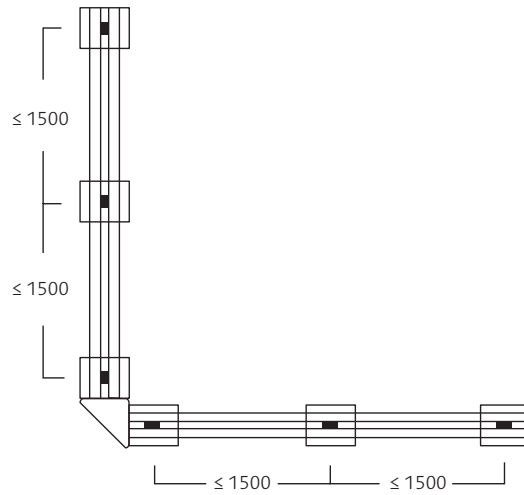
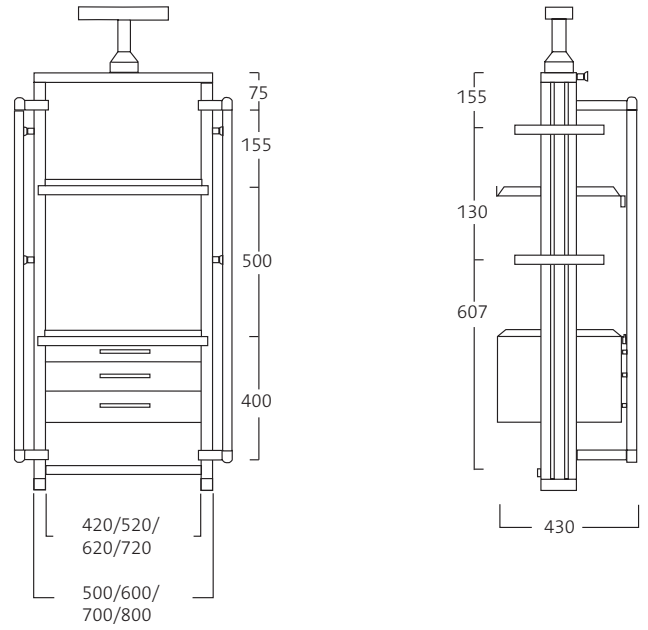
equipment rail located on a shelf frame or drip carrier trolley, see page 75.

Technical information

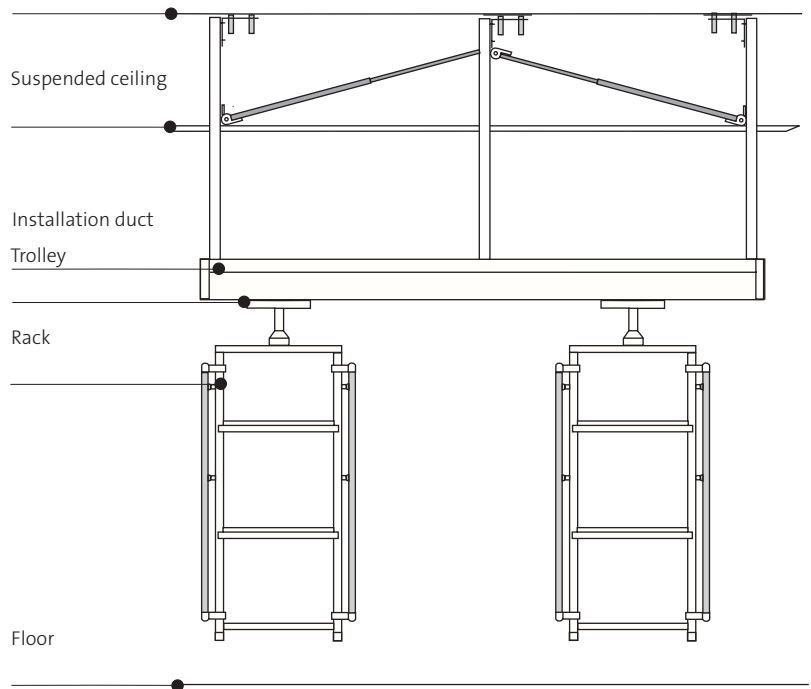
DuoFlex

5. Shelf system

The shelf system is customised to provide the required number of shelves, drawers, writing surfaces, equipment rails and infusion tubes.



Ceiling



Single installation.