

Technical information

Aluflex 9

Voltage: 230 V/25 A
Material: Aluminium
Weight: After combination
Colour: Natural anodised/
White anodised (RAL 9010)
Cat. no: Aluflex 9 18580

MDD class: IIa

To determine the type number, the height and weight of the panel you need to combine the required sections into a single unit.

1. Determine the underside of the panel
2. Determine the number of intermediate ducts.
3. Determine the top of the panel

1 2

The type number can be, e.g. Aluflex 9-L, which specifies a straight section on the lower edge and a continuous luminaire installation on top. It will be 116 mm and weigh 3,0 kg/m.

1. The underside of the unit

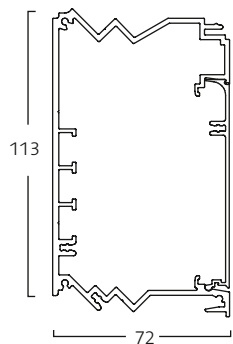


Aluflex 9

Straight section for assembly on the lower edge of the section.

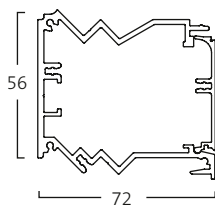
Type code: 9
Weight: 0.7 kg/m

2. Intermediate ducts



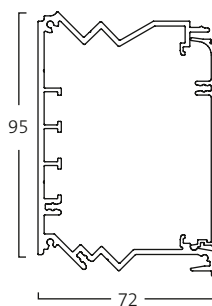
Intermediate duct P/C
Raised C-duct for assembly in line with 2 P-ducts.

Type code: P/C
Weight: 2.4 kg/m



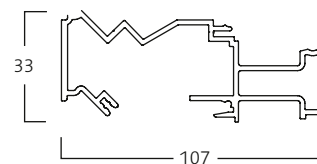
Intermediate duct P
Intended for 45 mm outlet socket series Legrand and Pronec.

Type code: P
Weight: 1.8 kg/m



Intermediate duct C
Intended for socket outlet series with face plates 80–90 mm.

Type code: C
Weight: 2.3 kg/m



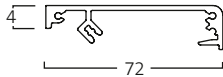
Intermediate duct IV
Designed to position an equipment rail in an Aluflex combination.

Type code: IV
Weight: 1.8 kg/m

Technical information

Aluflex 9

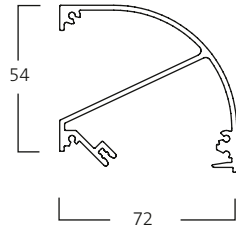
3. Top of the unit



F-section

Cover section intended to terminate the panel with a flat termination on the top edge.

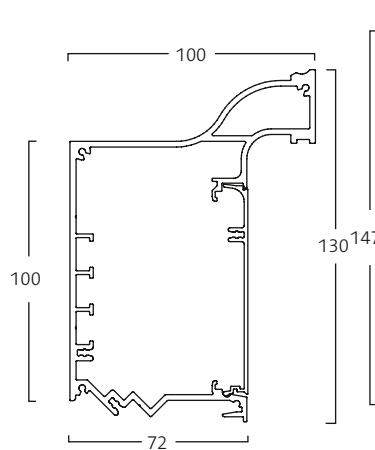
Type code: F
Weight: 0.7 kg/m



R-section

Cover section intended to terminate the panel with a round termination on the top edge.

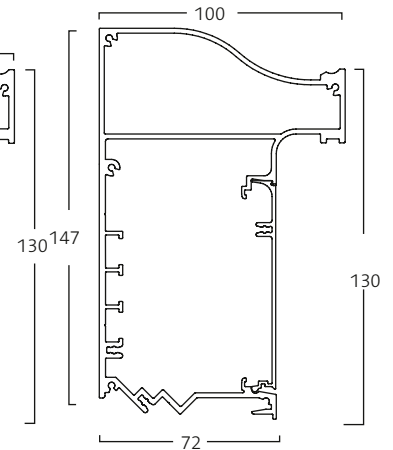
Type code: R
Weight: 1.2 kg/m



K-section

Outlet section 95 with integrated equipment rail as termination on the top edge with a downward incline towards the wall.

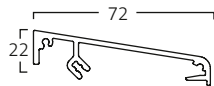
Type code: K
Weight: 2.9 kg/m



KR-section

Outlet section 95 with integrated equipment rail as termination on the top edge with an upward incline towards the wall.

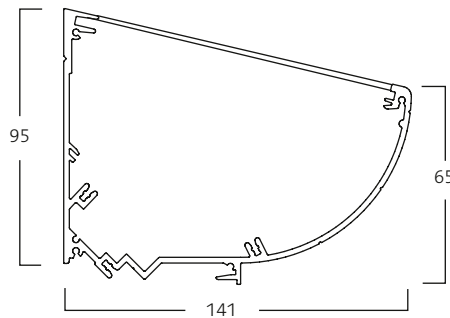
Type code: KR
Weight: 3.7 kg/m



S-profile

Cover profile designed to terminate the panel with a sloping top edge.

Type code: S
Weight: 0.7 kg/m

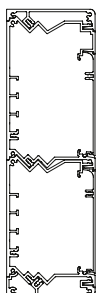


L-section

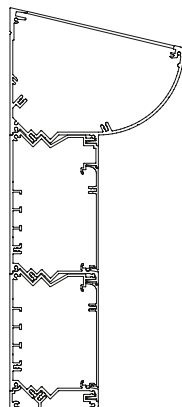
Continuous luminaire installation for indirect lighting with fluorescent lamp luminaires.

Type code: L
Weight: 2.3 kg/m

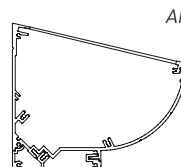
Examples



Aluflex 9-CP/C-F



Aluflex 9-CP/C-L



Aluflex 9-L

FAGERHULT