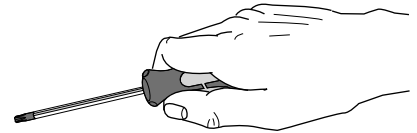


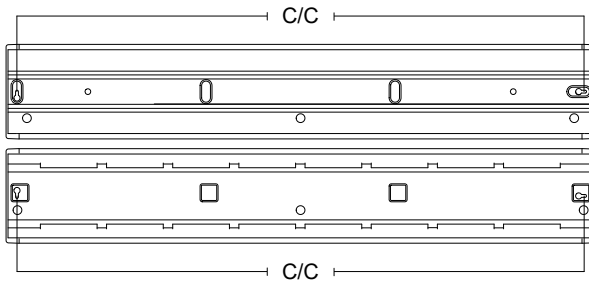
FAGERHULT

SE - 566 80 Habo

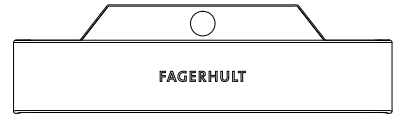
Dwide Ceiling



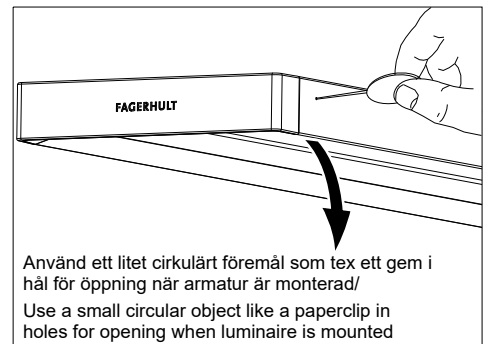
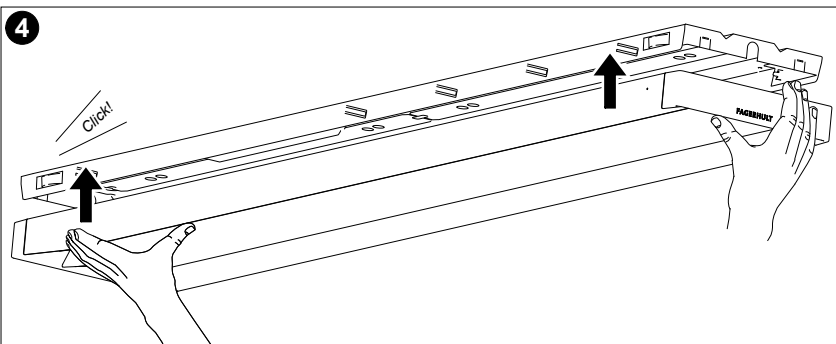
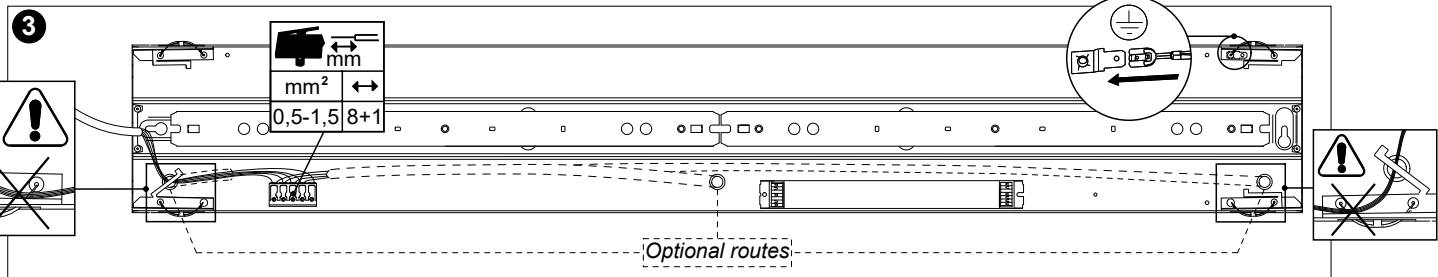
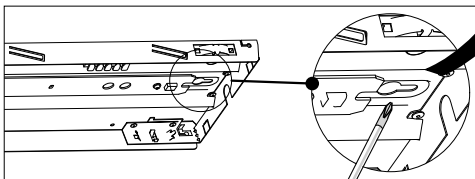
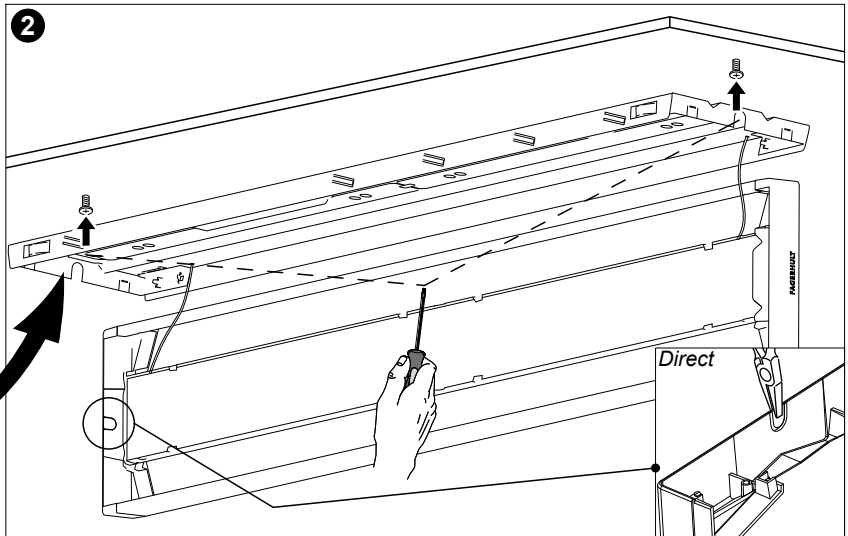
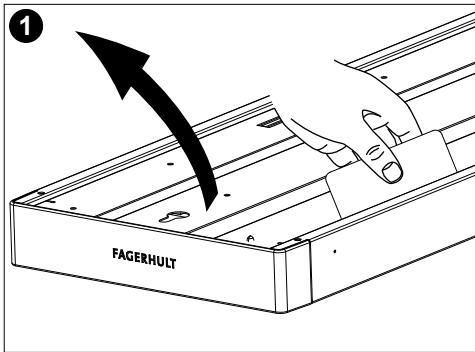
Model	C/C
D 1200	1200 mm
D 1200 Sensor	1230 mm
D 1500	1452 mm
D 1500 Sensor	1482 mm
D/I 1200	1200 mm
D/I 1500	1452 mm



Direct (D)



Direct/Indirect (D/I)



STANDARD	DALI	1-10V DIM	PHASE-PULSE CONTROLL

